

## Body Builder Buffered Speed Signal X156 Connector

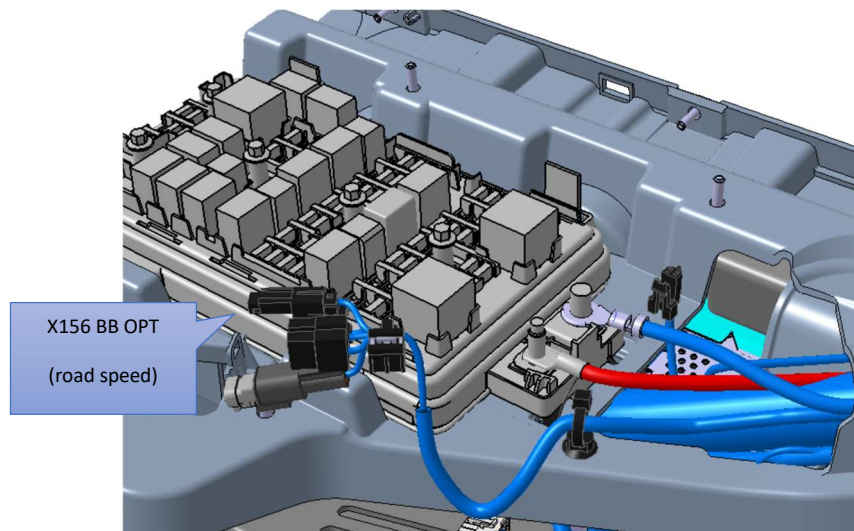
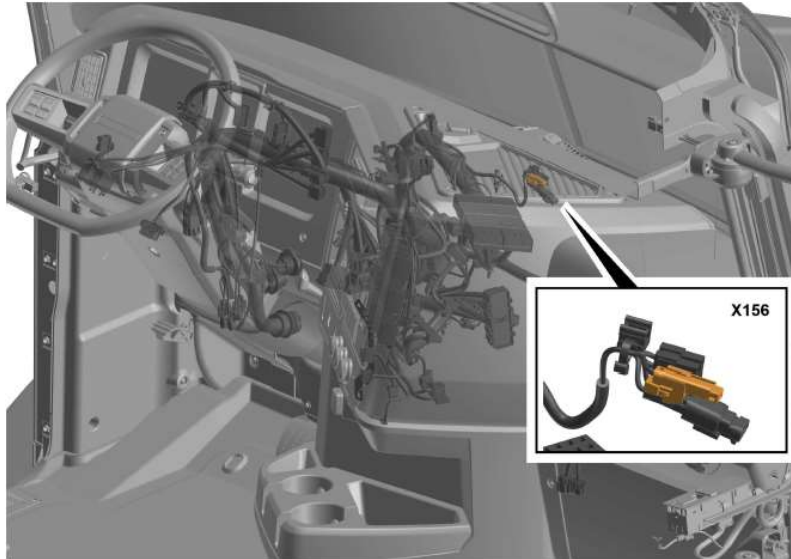
Mating Connector – #8077130

Terminal x 2– #25161233

Lock- #8397688

Location of road speed connector is under dash plate right side of fuse panel

Mack Conventional Trucks built after week 37 of 2023



If your device does not recognize road speed signal. Check that the parameter is set correctly.

**Parameter CZS=2** is set by default from the factory for road speed signal.